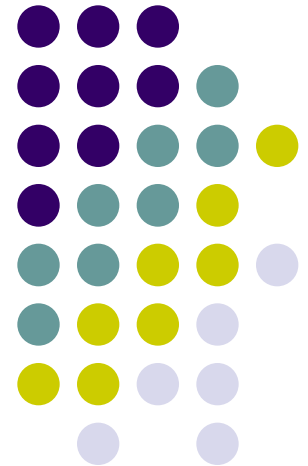
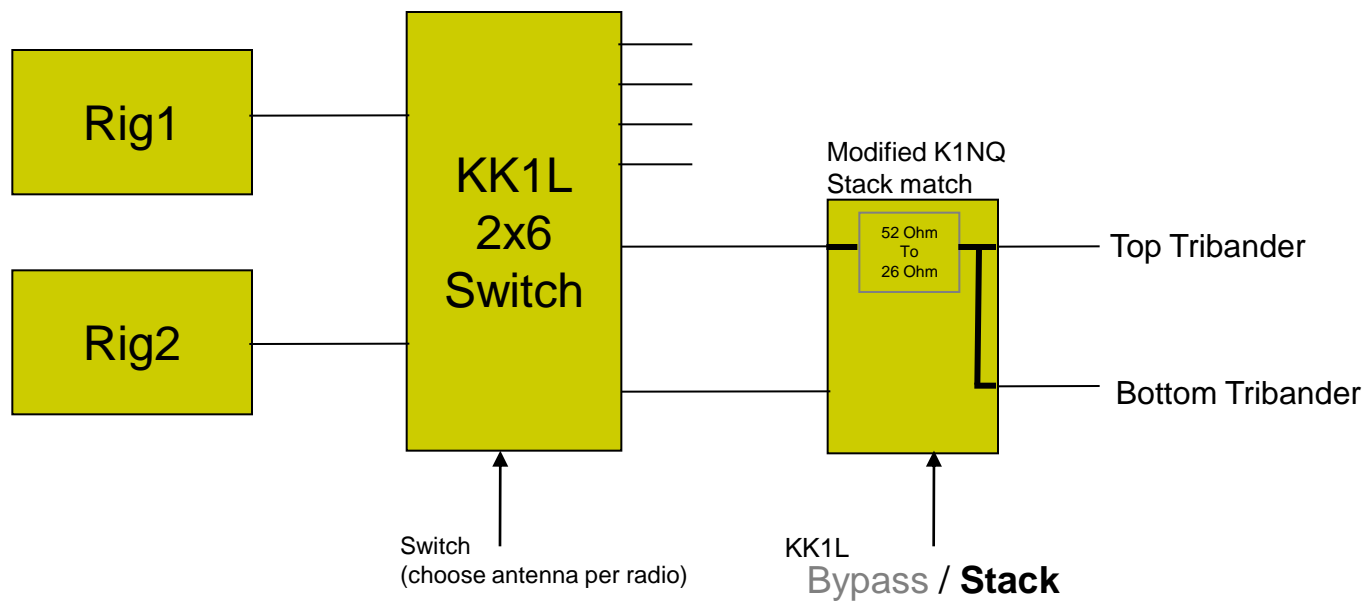
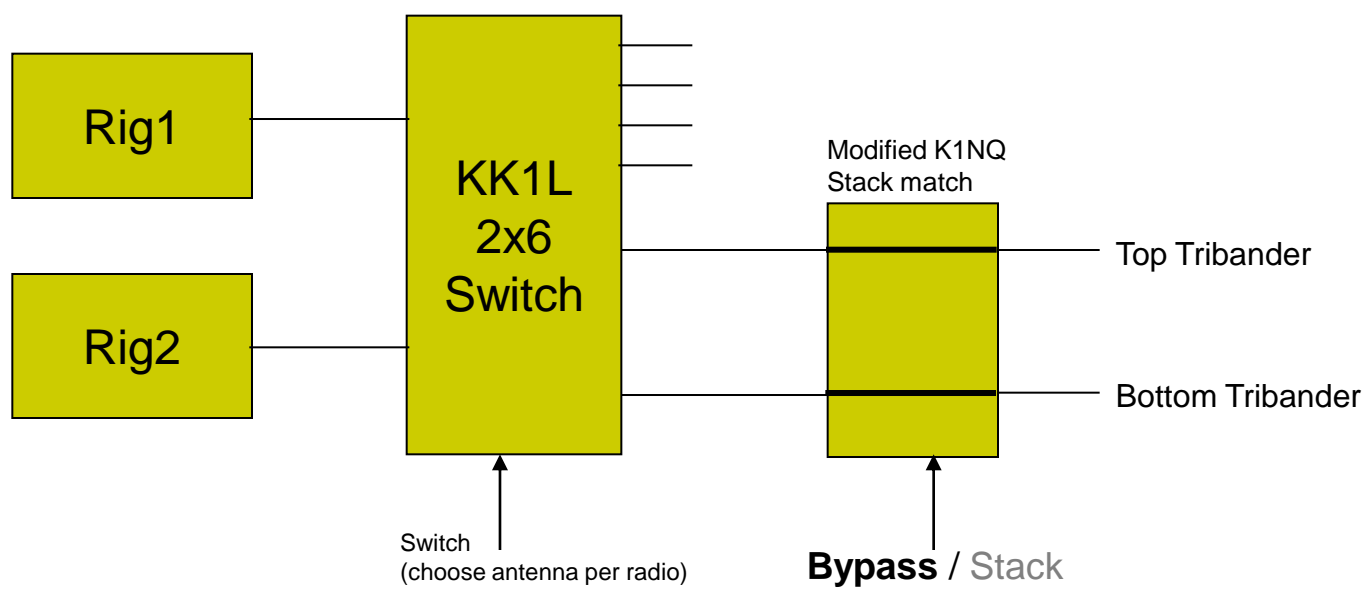
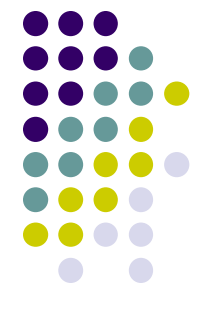


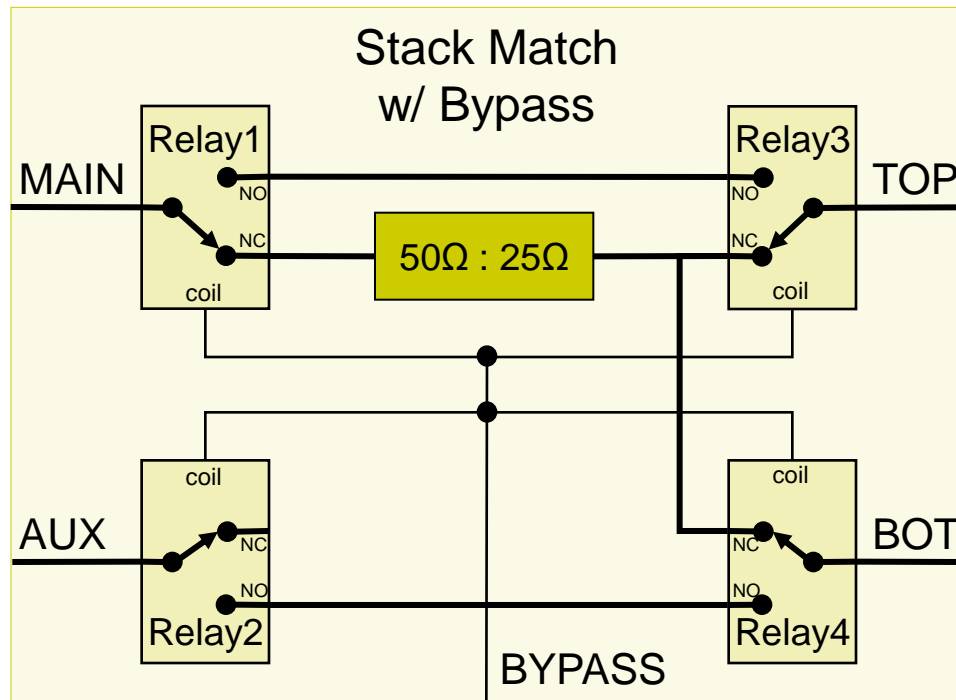
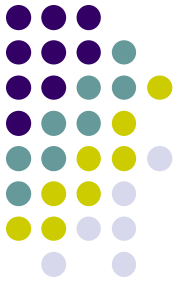
K1NQ 3 Stack Match

Modification for 2 Stack
for Single Tower SO2R



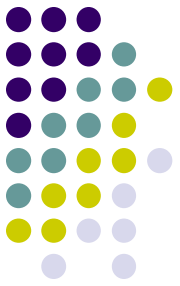


Stack Match Detail



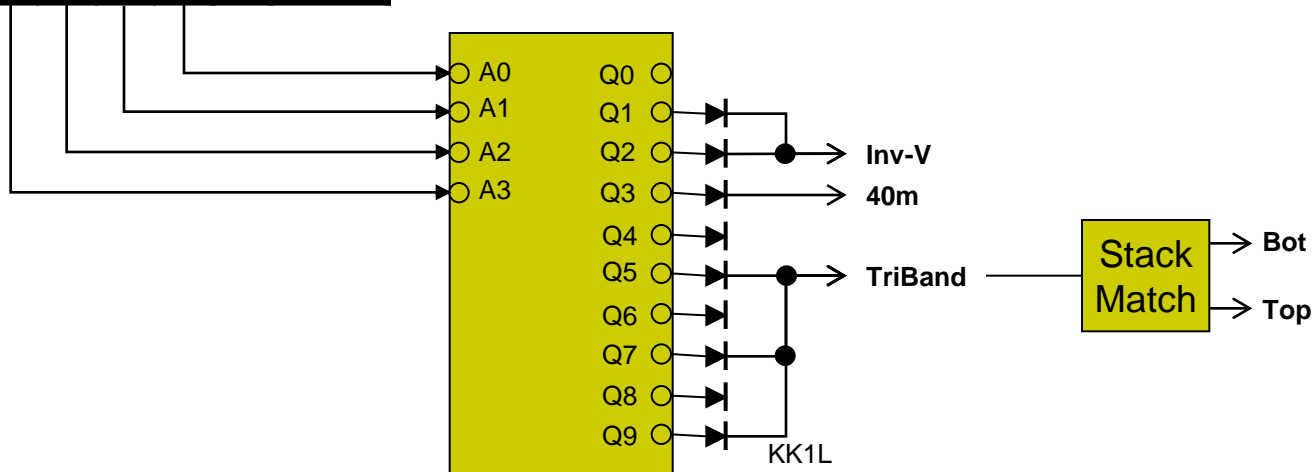
Bypass = 0V → Stack

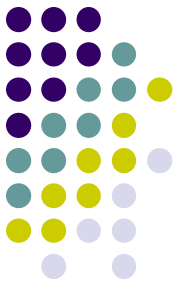
Bypass = 12V → Bypass



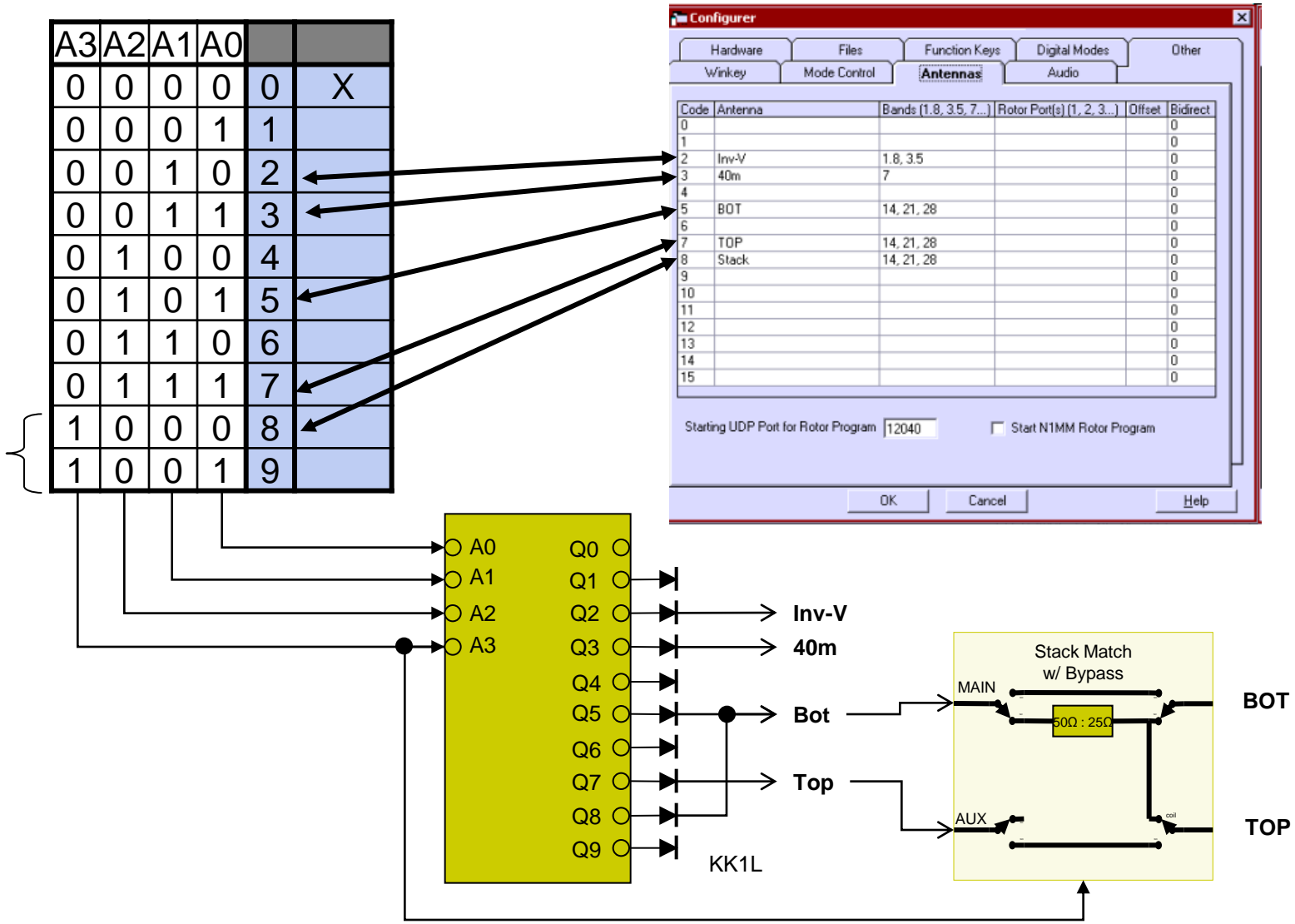
Standard Band Decode Example

A3	A2	A1	A0		STD
0	0	0	0	0	X
0	0	0	1	1	160m
0	0	1	0	2	80m
0	0	1	1	3	40m
0	1	0	0	4	30m
0	1	0	1	5	20m
0	1	1	0	6	17m
0	1	1	1	7	15m
1	0	0	0	8	12m
1	0	0	1	9	10m

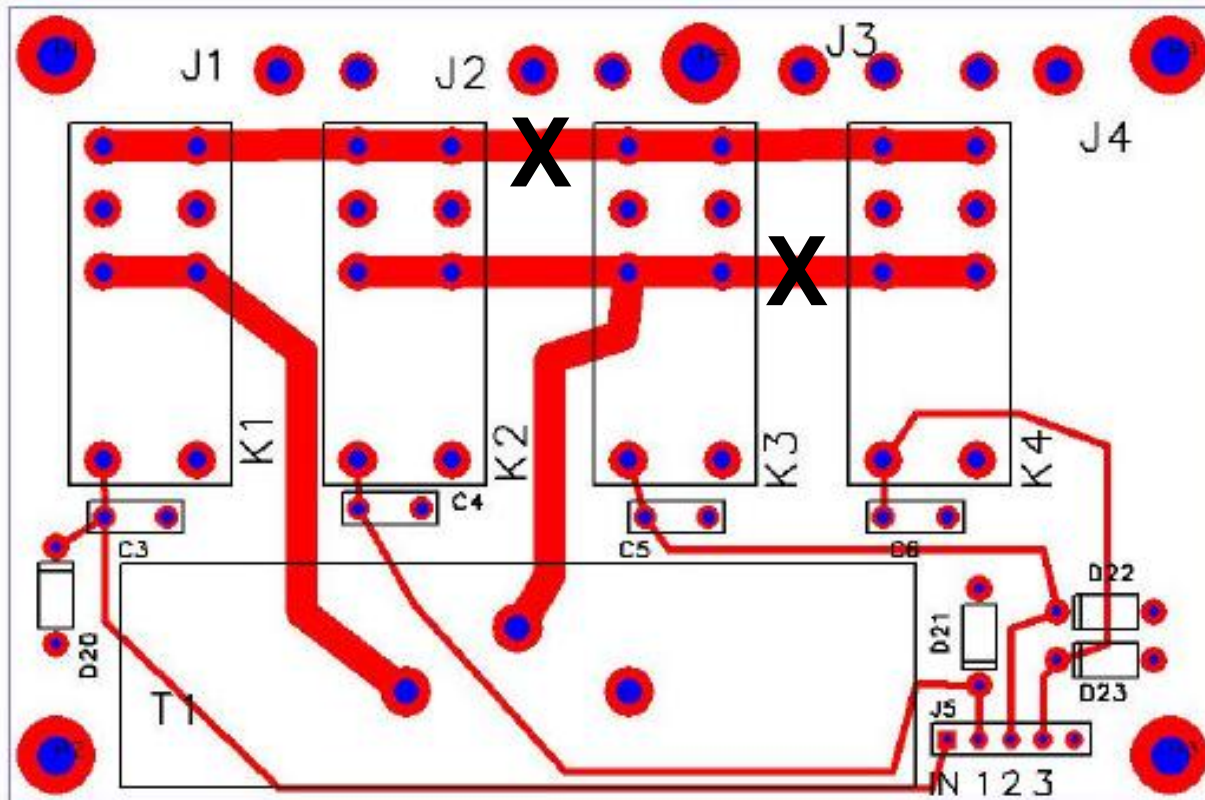
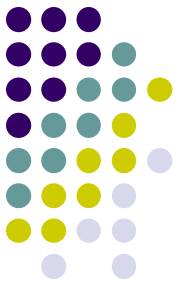




Using N1MM to Select Stack

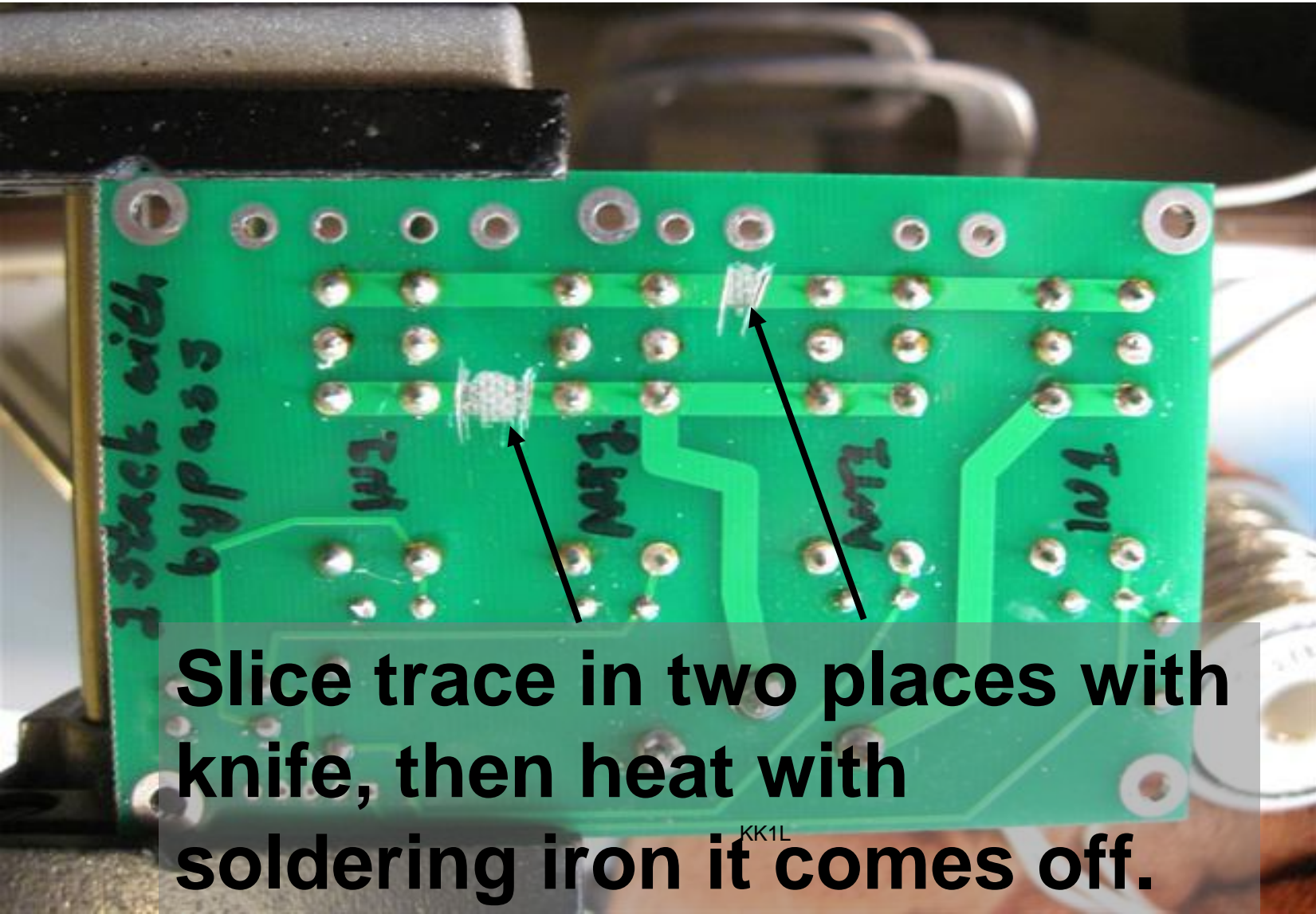


Traces to Cut (component side view)





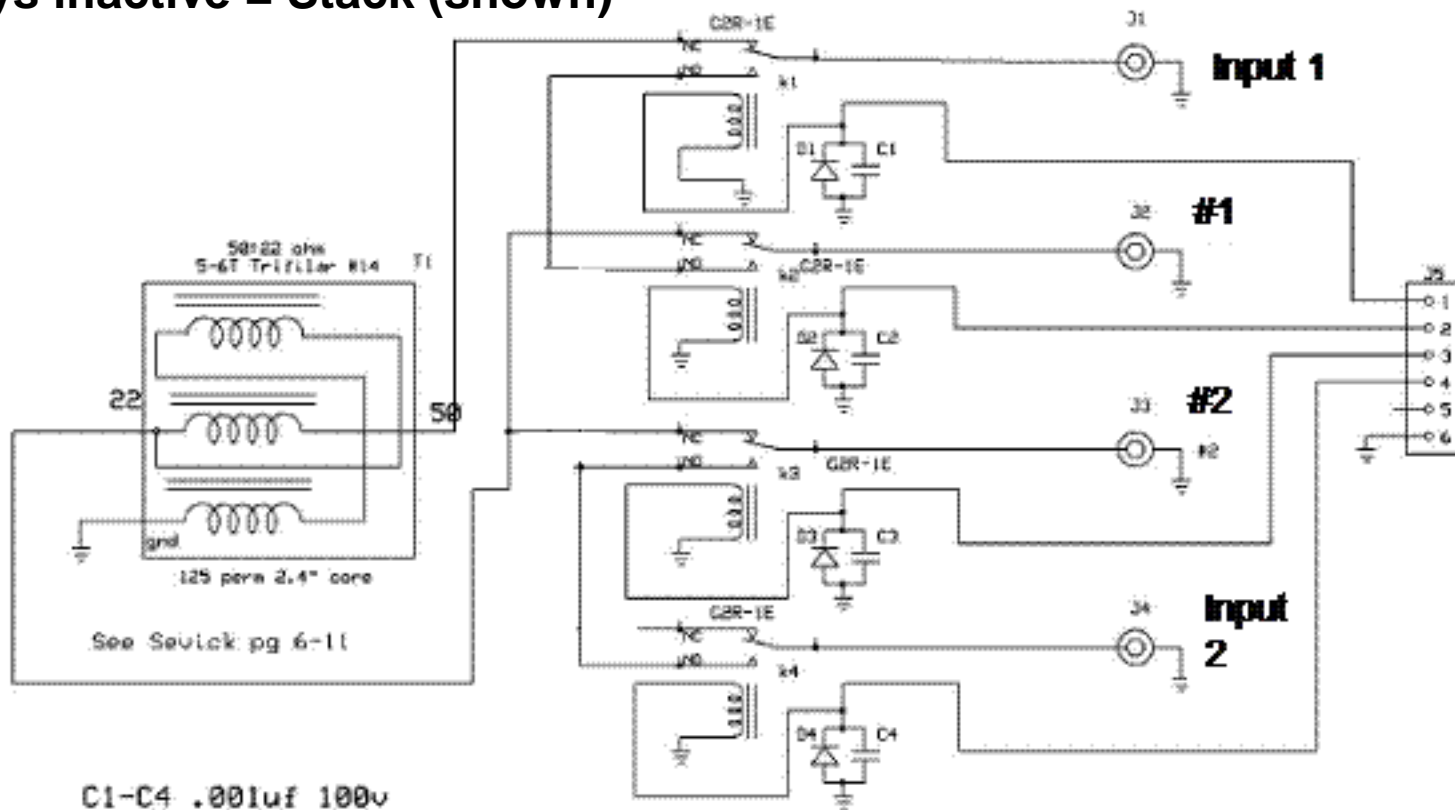
Picture of Cut Traces



Slice trace in two places with knife, then heat with soldering iron it comes off.

KK1L

All relays active = BYPASS
 All relays inactive = Stack (shown)



C1-C4 .001uf 100v

D1-D4 1N4001 or Equiv.

K1-K4 12V 10A (High breakdown)

J1-J4 UHF Female Bulkhead

J5 6 pos .1"sp header

**KK1L Stack2 with Bypass
 modification**

Almost Free Contest Gear
 HF 2 or 3 Ant Match

KK1L

KING

Rev 1.0
 11/3/2004

Page # 1-1

